

How To Make a German Christmas Star

Introduction

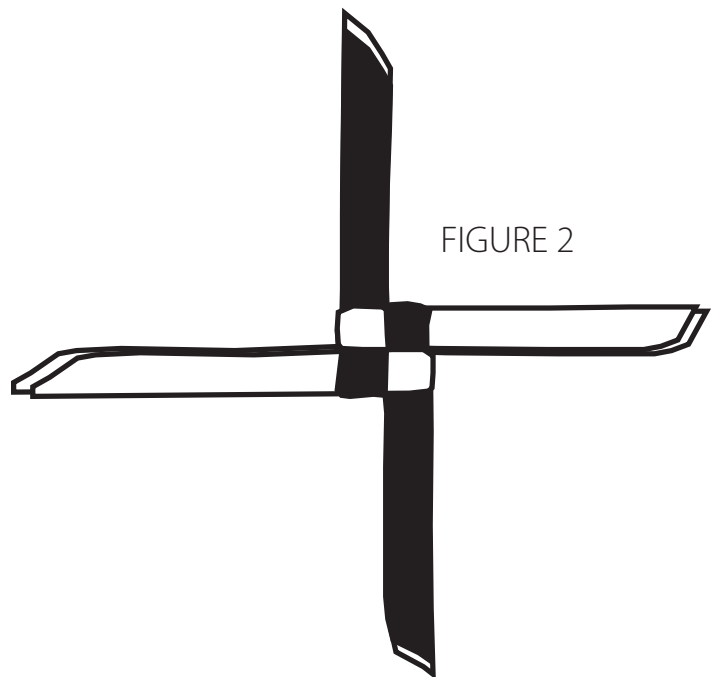
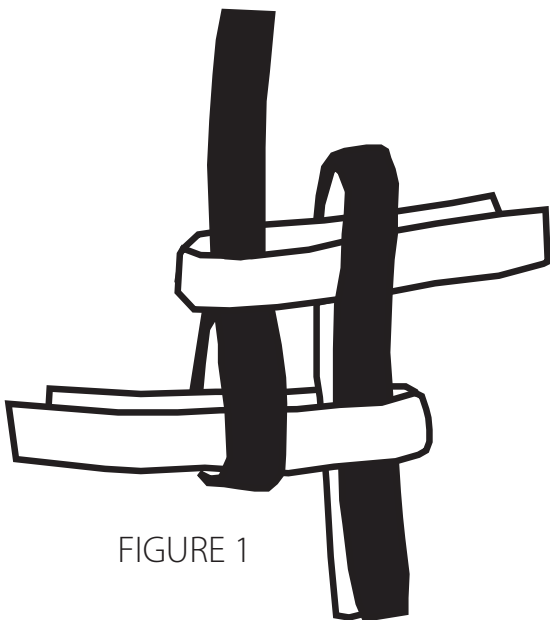
These folded stars are a favorite on German Christmas trees. They can also be used with holiday gift wrappings or attached to favors and place cards. For your own tree you will find them fun to make. As a group money-making project they have been sensationally successful. The stars can be made from colored paper, dusted with glitter; paper of a different color on each side will provide an interesting contrast in the points of the star. Grosgrain ribbon can be used instead of paper.

Materials

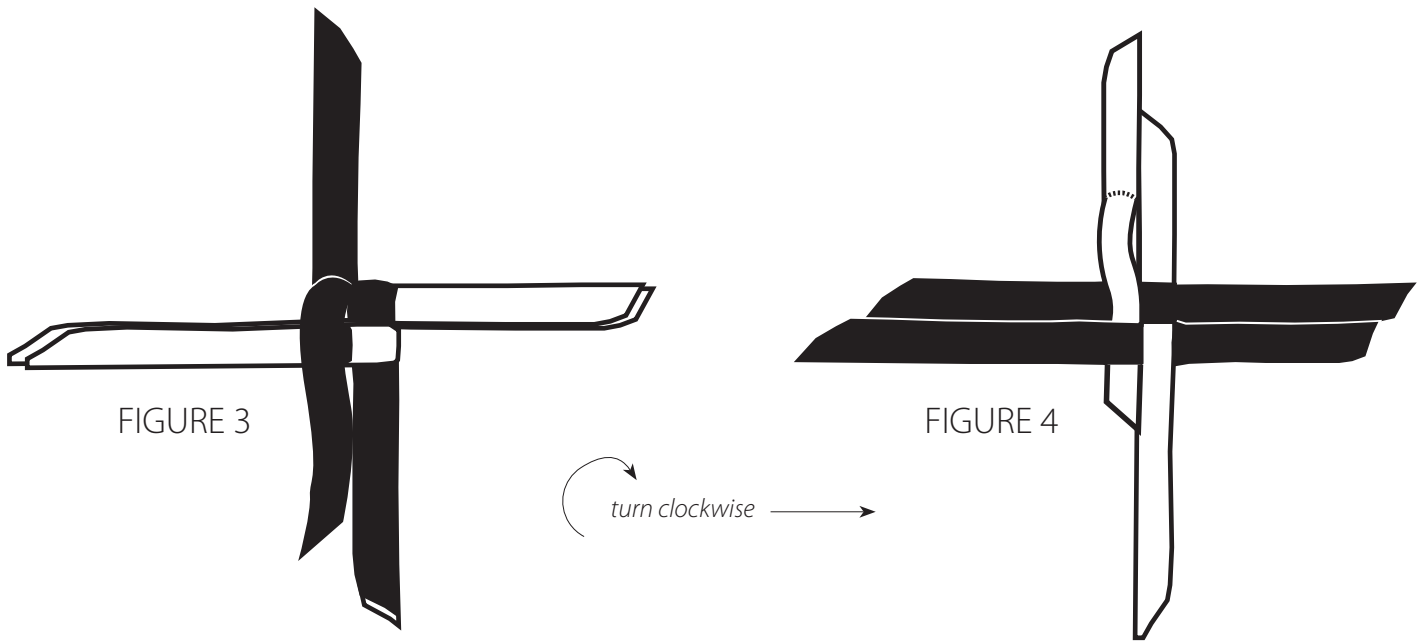
You need paper strips, 12 inches or longer, depending upon width. The wider the strips, the longer they must be. Legal size stationery will work; heavier paper is easier to work with. Widths up to an inch can be used, however 1/2 inch strips work well. If you make them smaller you will have to be an expert weaver.

Directions

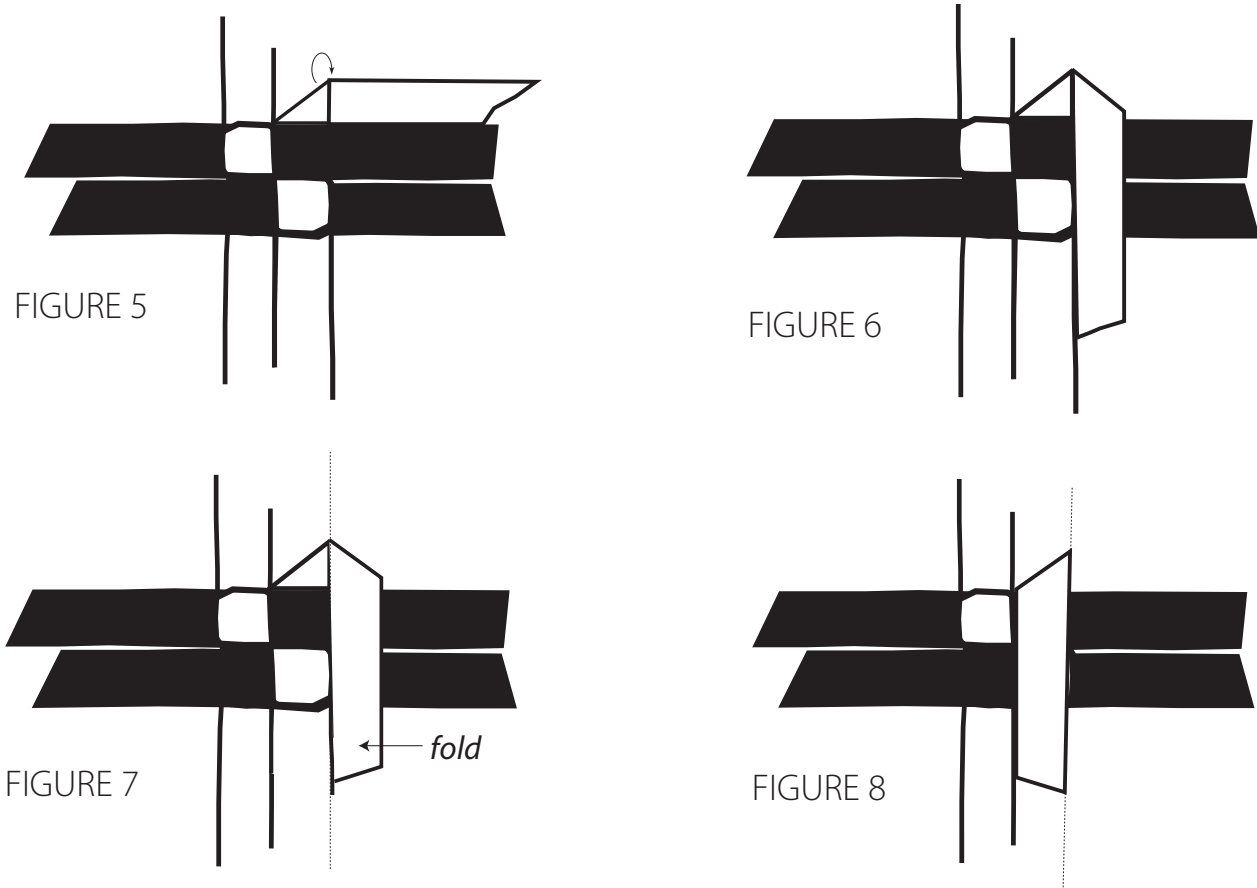
To start you must have four 12-inch strips that are exactly the same width. Fold and crease them in half and snip ends slantwise to make sliding easier. Lay the doubled strips out as shown in Figure 1. Then pull them together (Figure 2).



Starting at the top, fold down and crease upper flap (Figure 3). Turn clockwise until the next pair of strips are at the top, fold down and crease; turn again, fold down and crease. When you come to the fourth one, fold down, crease and lock the square by sticking the end through. (Figure 4)



Now start at the upper right and fold the strip back diagonally (Figure 5). Fold a triangle (Figure 6) and fold this triangle forward on itself (Figures 7 and 8).



Gently hold the point and draw the end of the strip through the upper part of the square (Figures 9 and 10). The first point of your star has been completed. Keeping this side of the star toward you and turning your work clockwise, work each upper right hand strip the same way until you have completed four points. Then turn it over and fold the other side the same way until you have 8 points on your star.

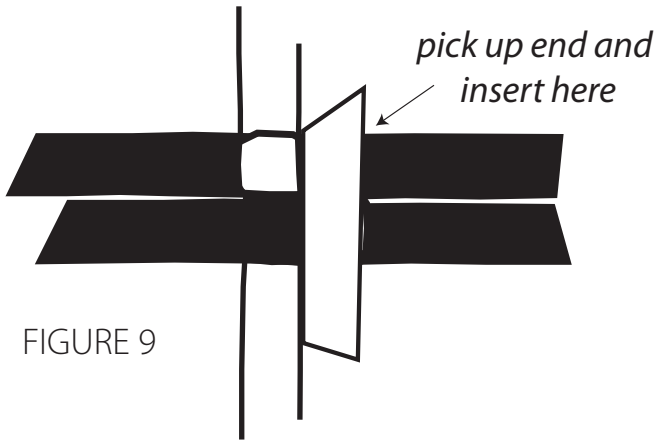


FIGURE 9

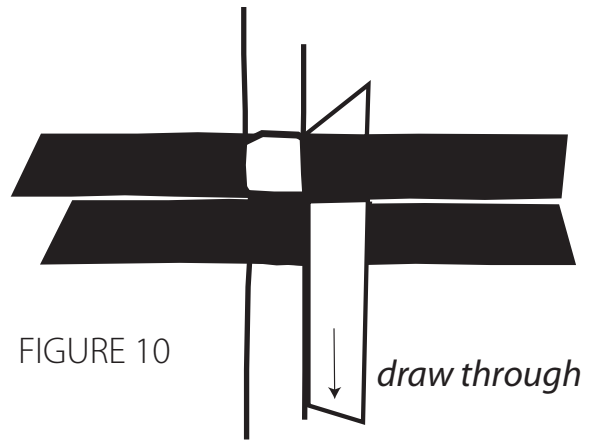


FIGURE 10

In the next step you will be folding the protruding points of the star. Until you learn this step thoroughly it is best to put a small mark on the top of each strip - mark the four strips you are using for this side on the top with a dot. Starting anywhere, fold a strip out of the way, so you can access the strip you will be working with. Fold the strip up, and keeping the side with the dot up, without twisting or turning the strip, bring the end around and insert it as shown (Figure 11). Slide it through the point until you can catch it and pull it through from the other side. Pull until a compact point is formed by the curve of the paper. Work clockwise, folding up each next strip and inserting it the same way under the point until you have four points on the star. Turn the star over and repeat until four points are formed on the other side.

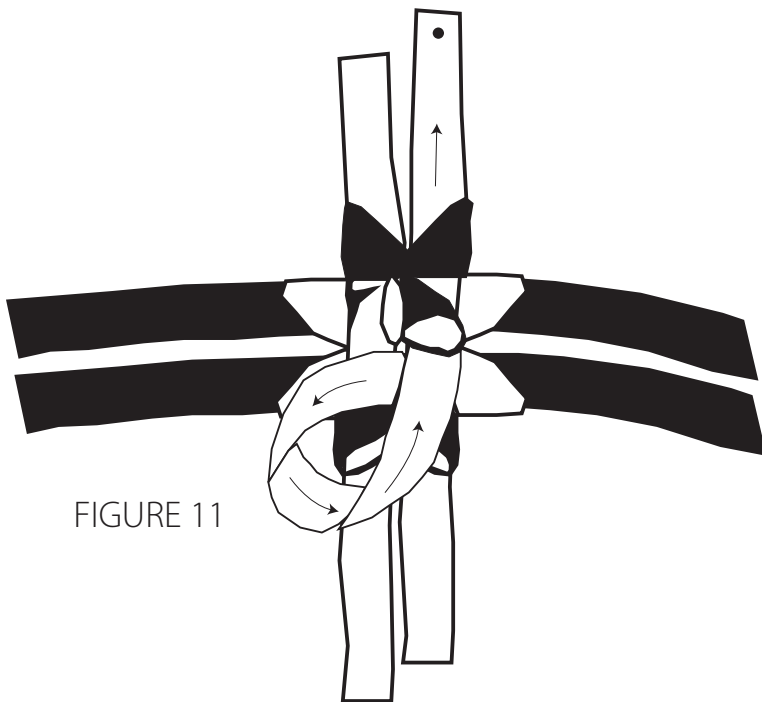


FIGURE 11

Now cut the loose ends. Draw an end through tightly, hold and cut off with scissors close to the point of the star (be careful not to cut the point!). Release your hold and the cut end will drop into the folds of the paper star, leaving a clean edge. Trim off all ends this way. The finished star should look like Figure 12. Hang it by running a thread loop through the tip at one point with a needle.

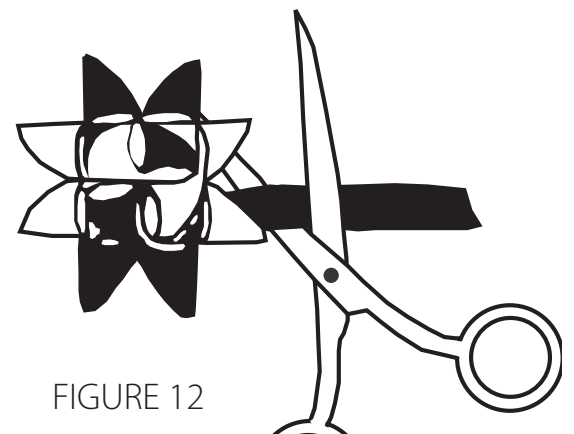


FIGURE 12